



## DIALTRONIC COMPACT

### Digital dial gauge

The new DIALTRONIC COMPACT range of digital dial gauges enables measuring applications to be carried out with a minimum of space thanks to the 45 mm diameter dial.

These dial gauges are ideal for measurements at various positions or integrated in machines.

#### Key features:

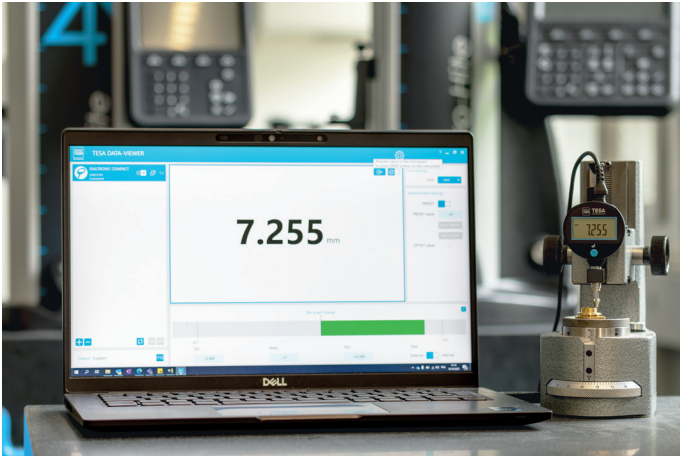
- **Robust**
- **Large LCD display**
- **Small dial (Ø 45 mm)**
- **Measuring range 12.5 mm (.5 in)**
- **IP67 version with bellows available**



## Functions

- Simple one-button operation, choice of preset or data transmission
- Adjustable preset with PC connection
- Selection of units in mm/inch
- Selection of measurement direction
- Automatic shutdown

## Connectivity with DATA-VIEWER



TESA DATA-VIEWER allows a quick and easy handling in order to export the results to a data processing program or to automatically create files in known formats such as \*.xls, \*.csv or \*.txt.

TESA DATA-VIEWER is downloadable free of charge from the TESA website<sup>1</sup>.

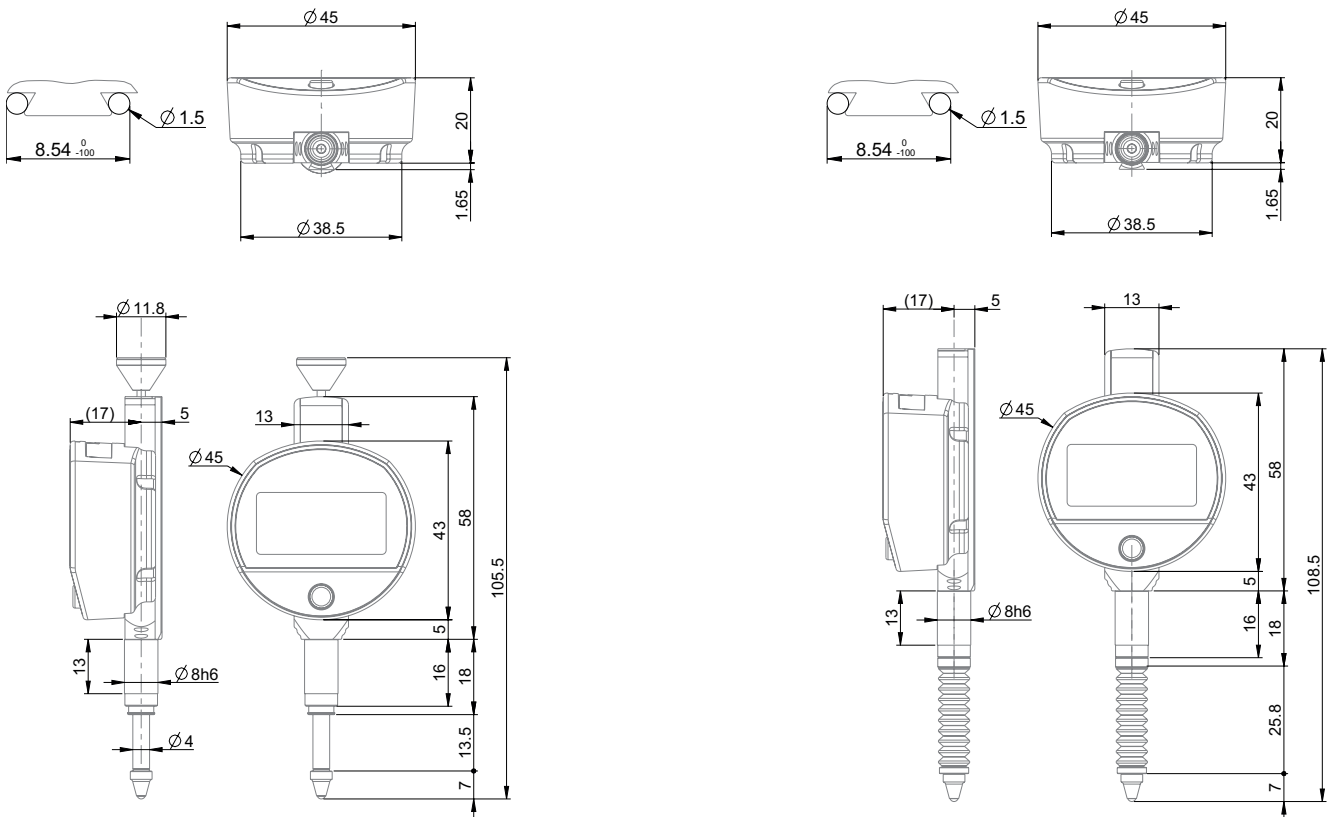
<https://go.hexagonmi.com/DATA-VIEWERsoftware>

<sup>1</sup>TESA instrument drivers included

Software requirements: Windows 10, 32 & 64-bit processor

Hardware requirements: Intel i5 or equivalent, 4 GB RAM, 100 MB HDD

## Dimensional drawings



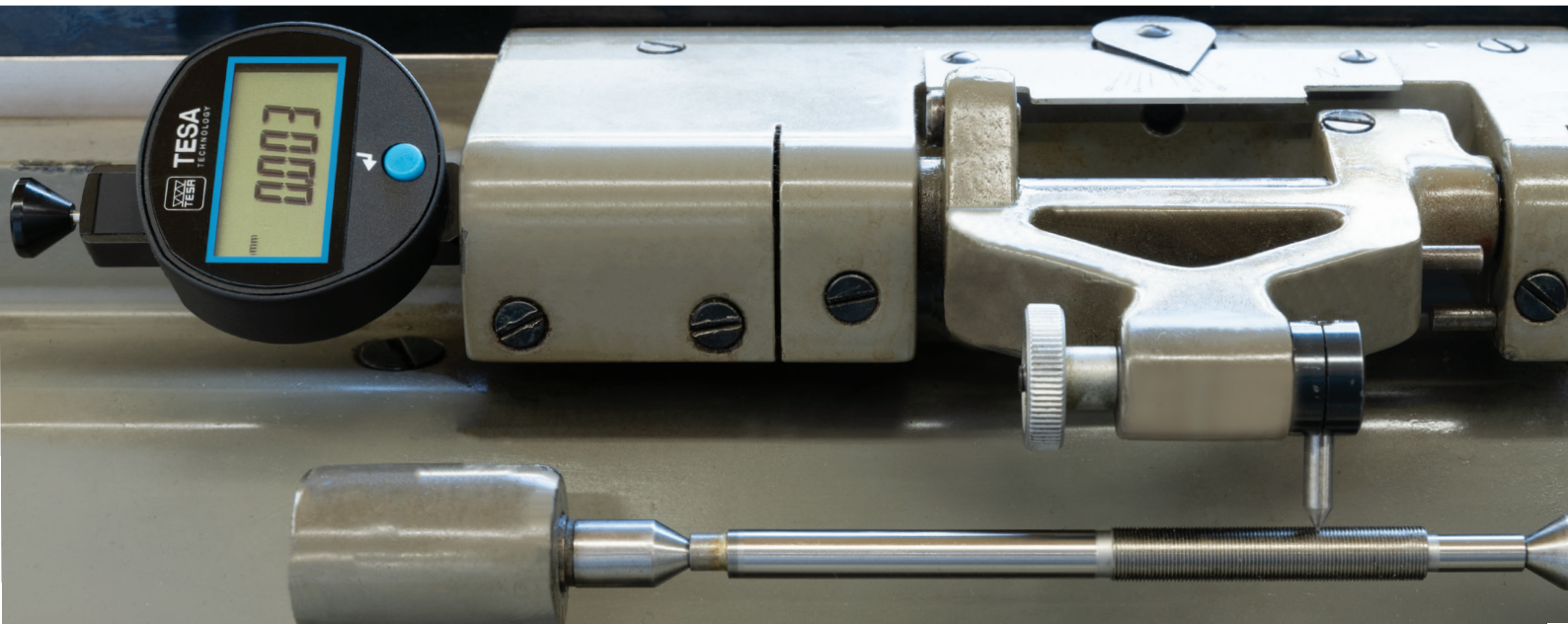
01930260  
01930261

01930263

## Technical specifications

Item no.	01930260	01930261	01930263
Measuring range (mm)	12,5 (.5")	12,5 (.5")	12,5 (.5")
Resolution (mm)	0,01	0,001	0,001
Resolution (in)	.0005"	.00005"	.00005"
IP level	IP54	IP54	IP67
Measuring force (N)	0,5 – 0,9	0,5 – 0,9	0,6 – 1,3
Weight (g)	75	75	75
Indication error over range measurement (retractable plunger) MPEE ( $\mu\text{m}$ )	10 $\pm$ 1 digit (.0005" $\pm$ 1 digit)	4 (.00020")	4 (.00020")
Indication error over partial measuring range (over 1 mm) MPEP ( $\mu\text{m}$ )	8 (.00030")	3 (.00010")	3 (.00010")
Repeatability of the indication error MPER ( $\mu\text{m}$ )	2 (.00010")	2 (.00010")	2 (.00010")

MPE Inch values are calculated from MPE in  $\mu\text{m}$ .





## Application examples



## Accessories



01961012



04760161



01960005

Item no.	Designation
01961012	Knob lifting lever
04760161	Power cable to USB, 3 m
01960005	Lifting lever, to be mounted on the lower plunger

### About Hexagon and TESA

Hexagon is a global leader in sensor, software and autonomous solutions. We are putting data to work to boost efficiency, productivity, and quality across industrial, manufacturing, infrastructure, safety, and mobility applications.

Our technologies are shaping urban and production ecosystems to become increasingly connected and autonomous – ensuring a scalable, sustainable future.

TESA Technology, part of Hexagon's Manufacturing Intelligence division, is a leading innovator and manufacturer of precision measuring instruments, long-established in Switzerland. Learn more at [tesatechnology.com](https://www.tesatechnology.com). Hexagon's Manufacturing Intelligence division provides solutions that utilize data from design and engineering, production and metrology to make manufacturing smarter.

Hexagon (Nasdaq Stockholm: HEXA B) has approximately 20,000 employees in 50 countries and net sales of approximately 4.4bn USD. Learn more at [hexagon.com](https://www.hexagon.com) and follow us @HexagonAB.