

## Digital Caliper 18 EX with measuring blades for outside measurement



### Features

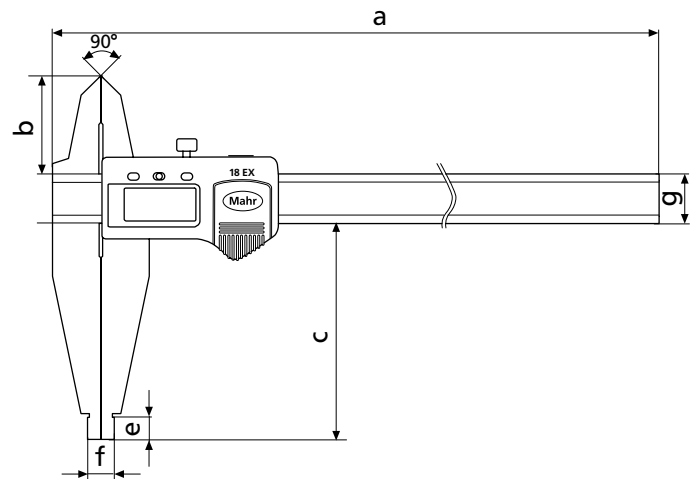
#### Functions:

ON/OFF  
 RESET (Zero setting)  
 mm/inch  
 PRESET (for entering a numerical value)  
 DATA (Data transmission via connection cable)

- Patented capacitive measuring system with an energy saving function, life of the battery approx. 2 years
- Dirt wipers are integrated in the slide
- Max measuring speed 1.5 m/sec (60"/sec)
- MarConnect data output, choose alternatively  
 USB  
 OPTO RS232C  
 Digimatic
- High contrast Liquid Crystal Display with 7.5 mm / 12 mm high digits
- Slide and beam made of hardened stainless steel
- Rounded measuring faces for inside measurement
- Locking screw
- Supplied with:  
 Case, battery, operating instructions

### Technical Data

Measuring range	Resolution	Error limit	Order no.
300 (12")	0.01/ .0005"	0.04/ .0015"	4112700
600 (24")	0.01/ .0005"	0.05/ .0020"	4112710
1000 (40")	0.01/ .0005"	0.07/ .0025"	4112720



### Accessories

	Order no.
<b>Battery</b> 3V, Type CR 2032	4102520
<b>Data Connection Cable</b> USB (2 m)	16 EXu 4102357
<b>Data Connection Cable</b> Opto RS232C (2 m), with SUB-D jack 9-pin	16 EXr 4102410
<b>Data Connection Cable</b> Digimatic (2 m), Flat plug 10-pin	16 EXd 4102411

Accessories for Data Processing see Chapter 11

#### Dimensions

mm/inch	a	b	c	e	f	g
300/ 12	410/ 16.4	40/ 1.6	90/ 3.5	10/ .4	10/ .4	19.6 x 4.5/ .70 x .18
600/ 24	750/ 29	55/ 2.2	125/ 5.0	20/ .8	20/ .8	24.6 x 5.5/ .96 x .22
1000/ 40	1165/ 45	60/ 2.4	150/ 6.0	20/ .8	20/ .8	29.6 x 6.0/ 1.1 x .25